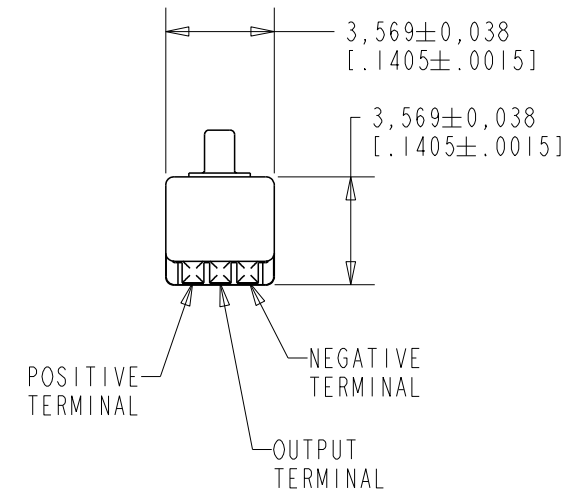
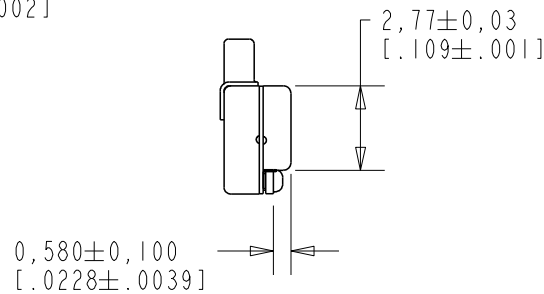
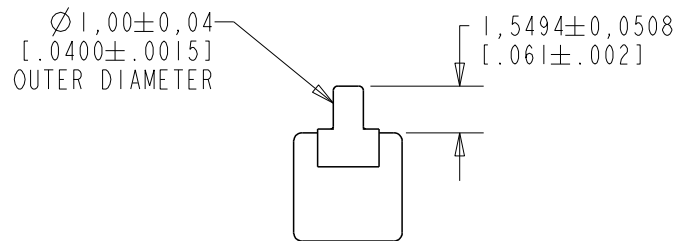
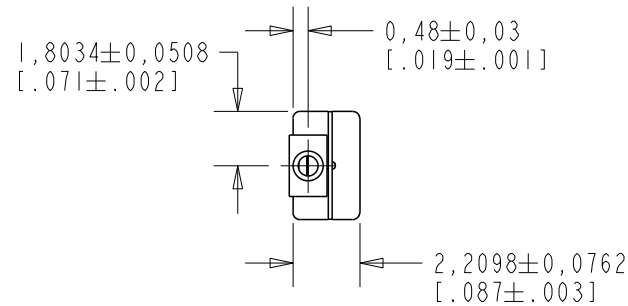


EM-23459-D65

SHT 1.1

NOTE:

1. INCREASED PRESSURE AT SOUND INLET CAUSES A POSITIVE GOING VOLTAGE TO APPEAR AT THE OUTPUT TERMINAL, RELATIVE TO THE NEGATIVE TERMINAL.



NOMINAL WEIGHT  
.08 GRAMS

DIMENSIONS IN MILLIMETERS [INCHES]

**KNOWLES CORPORATION**

Revision	C.O. #	Implementation Date	RELEASE LEVEL	REVISION
			Active	G
G	MI0106998	12-1-16		

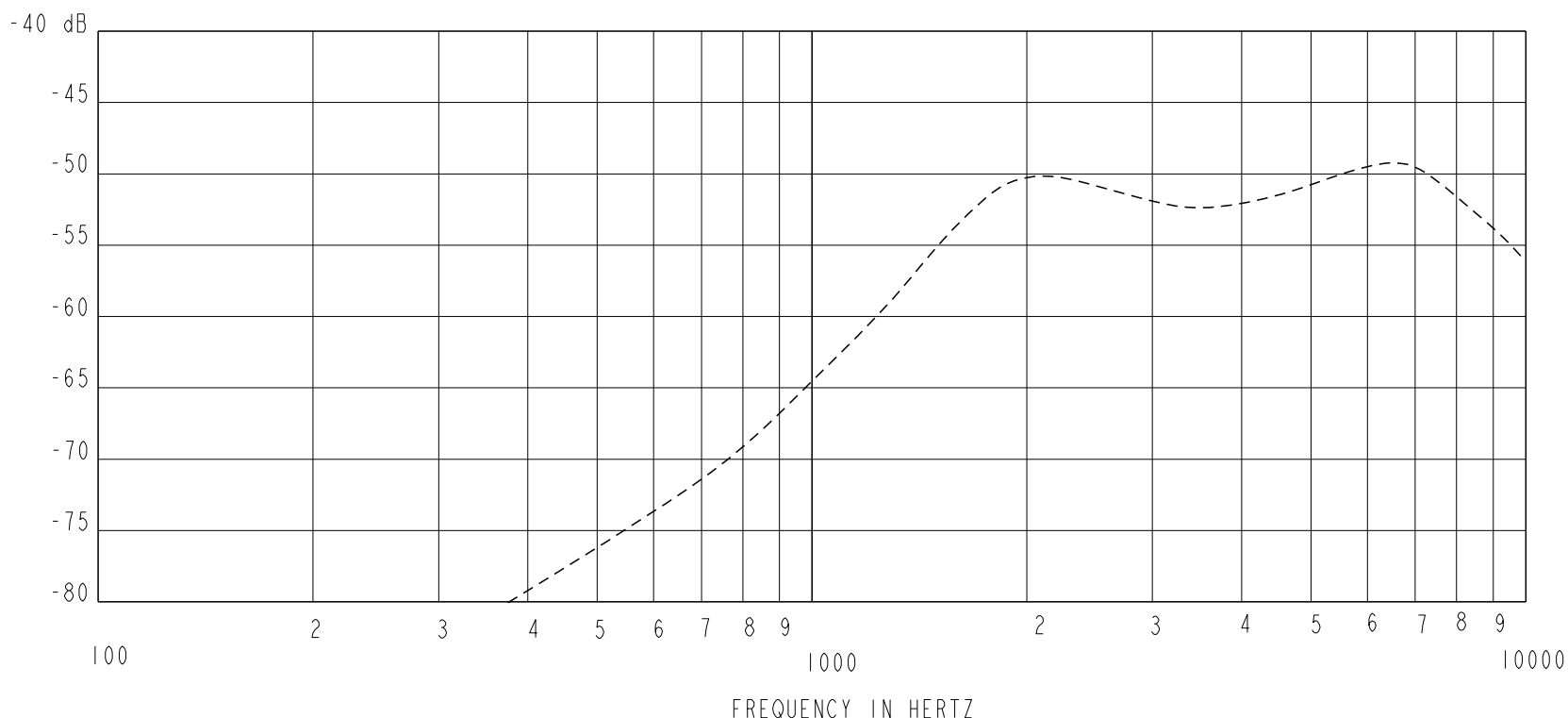
SCALE: 4:1

DO NOT SCALE DRAWING

TITLE:	EM-23459-D65
MICROPHONE	SHT 1.1
OUTLINE DRAWING	

DR. BY	DATE
SDZ	8-18-09
CK. BY	DATE
GJP	8-20-09
APP. BY	DATE
GJP	8-20-09

SENSITIVITY IN dB RELATIVE TO 1.0 VOLT/0.1Pa(N/M<sup>2</sup>)  
FOR CONDITIONS SHOWN BELOW.



FREQUENCY	SENSITIVITY			DEVICE CONFORMITY	
	MIN.	NOM.	MAX.	RANGE OF DEVIATION FROM 3.5KHZ	
1000	---	-64.5	---	---	-9.0
3500	-56.5	-52.5	-48.5	0.0	0.0
≈ 6400	---	-49.5	---	0.0	+6.0

NOTES:

1. CASE CONNECTED TO NEGATIVE TERMINAL.
2. MICROPHONE TO BE FUNCTIONAL WITH 3.0 VDC SUPPLY.
3. TYPICAL SENSITIVITY TO HUMIDITY AT 1000Hz IS 0.05 dB/%RH
4. SENSITIVITY AND NOISE VALUES INDICATED ON THIS SPECIFICATION ARE VALID AT 50% HUMIDITY.

PORT LOCATION	DC SUPPLY	AMPLIFIER CURRENT DRAIN	SENSITIVITY CHANGE ON CHANGING SUPPLY TO 0.9VDC AND 3.0VDC	"A" WEIGHTED NOISE (RE 1.0 VOLT)	OUTPUT IMPEDANCE OHMS		
					MIN.	NOM.	MAX.
12B	1.3V	50 μA MAX.	3 dB MAX.	-99.5 dB MAX.	2800	4400	6800

Revision	C.O. #	Implementation Date	RELEASE LEVEL	REVISION
			Active	G
G	MI0106998	12-1-16		

<b>KNOWLES CORPORATION</b>	WHEN TEST LIMITS ARE USED TO ESTABLISH INCOMING INSPECTION ACCEPTANCE/REJECTION CRITERIA, CORRELATION OF TEST EQUIPMENT WITH KNOWLES IS ALSO REQUIRED FOR ELIMINATION OF EQUIPMENT AND TEST METHOD VARIATION		DR. BY	DATE
			SDZ	8-18-09
	TITLE: MICROPHONE		GJP	8-20-09
	PERFORMANCE SPECIFICATION		GJP	8-20-09

**KNOWLES CORPORATION**

WHEN TEST LIMITS ARE USED TO ESTABLISH INCOMING INSPECTION ACCEPTANCE/REJECTION CRITERIA, CORRELATION OF TEST EQUIPMENT WITH KNOWLES IS ALSO REQUIRED FOR ELIMINATION OF EQUIPMENT AND TEST METHOD VARIATION

TITLE: MICROPHONE  
PERFORMANCE SPECIFICATION

EM-23459-D65  
SHT 2.1

DR. BY	DATE
SDZ	8-18-09
CK. BY	DATE
GJP	8-20-09
APP. BY	DATE
GJP	8-20-09